

Air-Conditioners

Indoor unit

SLZ-KA09, KA12, KA15NA

OPERATION MANUAL

For safe and correct use, please read this operation manual thoroughly before operating the air-conditioner unit.

FOR USER

English

MANUEL D'UTILISATION

Pour une utilisation correcte sans risques, veuillez lire le manuel d'utilisation en entier avant de vous servir du climatiseur.

POUR L'UTILISATEUR

Français

MANUAL DE INSTRUCCIONES

Lea este manual de instrucciones hasta el final antes de poner en marcha la unidad de aire acondicionado para garantizar un uso seguro y correcto.

PARA EL USUARIO

Español


Contents

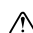
1. Safety Precautions	2	5. Care and Cleaning	5
2. Parts Names.....	3	6. Trouble Shooting.....	5
3. Operation.....	4	7. Installation, relocation and inspection	7
4. Timer	4	8. Specifications	8

1. Safety Precautions


- ▶ Before installing the unit, make sure you read all the “Safety Precautions”.
- ▶ The “Safety Precautions” provide very important points regarding safety. Make sure you follow them.
- ▶ Please report to or take consent by the supply authority before connection to the system.

Symbols used in the text

 **Warning:**
Describes precautions that should be observed to prevent danger of injury or death to the user.

 **Caution:**
Describes precautions that should be observed to prevent damage to the unit.

Symbols used in the illustrations

 : Indicates a part which must be grounded.

Warning:

- The unit must not be installed by the user. Ask the dealer or an authorized company to install the unit. If the unit is installed improperly, water leakage, electric shock or fire may result.
- Do not stand on, or place any items on the unit.
- Do not splash water over the unit and do not touch the unit with wet hands. An electric shock may result.
- Do not spray combustible gas close to the unit. Fire may result.
- Do not place a gas heater or any other open-flame appliance where it will be exposed to the air discharged from the unit. Incomplete combustion may result.
- Do not remove the front panel or the fan guard from the outdoor unit when it is running.

- When you notice exceptionally abnormal noise or vibration, stop operation, turn off the power switch, and contact your dealer.
- Never insert fingers, sticks etc. into the intakes or outlets.
- If you detect odd smells, stop using the unit, turn off the power switch and consult your dealer. Otherwise, a breakdown, electric shock or fire may result.
- This air conditioner is NOT intended for use by children or infirm persons without supervision.
- Young children must be supervised to ensure that they do not play with the air conditioner.
- If the refrigeration gas blows out or leaks, stop the operation of the air conditioner, thoroughly ventilate the room, and contact your dealer.

Caution:

- Do not use any sharp object to push the buttons, as this may damage the remote controller.
- Never block or cover the indoor or outdoor unit's intakes or outlets.

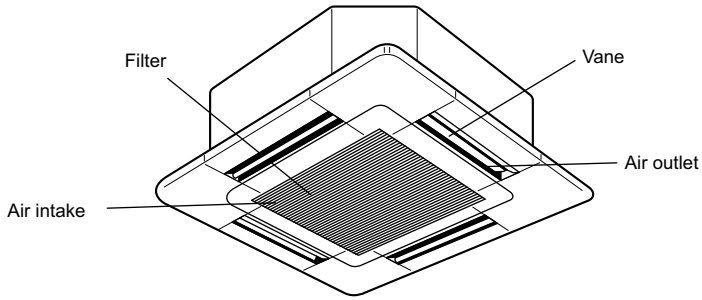
Disposing of the unit

When you need to dispose of the unit, consult your dealer.

2. Parts Names

■ Indoor unit

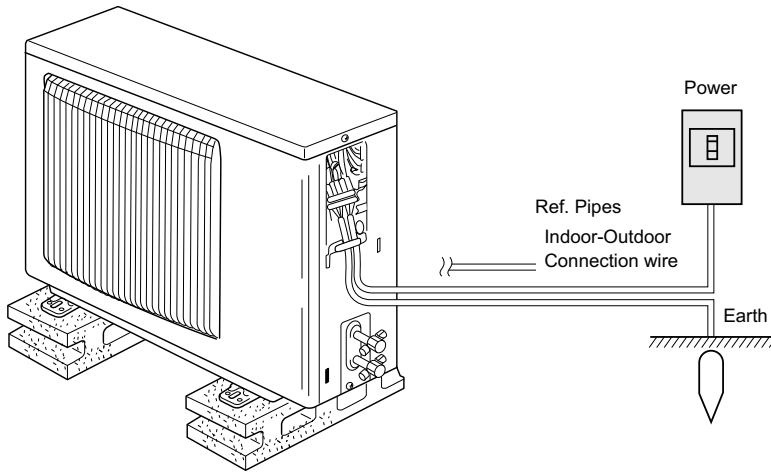
4-way Ceiling Cassette



■ Indoor Unit

	SLZ-KA-NA
Fan steps	3 steps
Vane	Auto with swing
Louver	—
Filter	Long-life
Filter cleaning indication	2,500 hr

■ Outdoor unit



■ Remote controller (Optional parts)

Radio frequency interface	Wired remote controller
<p>RF thermostat</p>	

3. Operation

- About the operation method, please refer to the operation manual that comes with each remote controller.

3.1. Turning ON/OFF

Note:

Even if you press the ON/OFF button immediately after shutting down the operation is progress, the air conditioner will not start for about 3 minutes. This is to prevent the internal components from being damaged.

3.2. Operation mode select

Cool/ Dry/ Fan/ Heat/ Automatic (cool/ heat)/ ventilation mode are available.

Note:

- Heat and Automatic modes can not be available for cooling only units.
- Ventilation mode: only indicated on the following condition. Wired remote controller is used and LOSSNAY is connected.

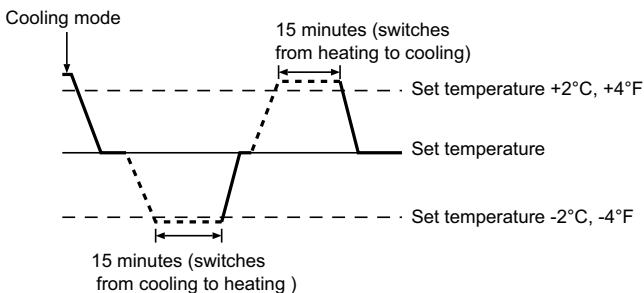
Information for multi system air conditioner (Outdoor unit: MXZ series)

► Multi system air conditioner (Outdoor unit: MXZ series) can connect two or more indoor units with one outdoor unit. According to the capacity, two or more units can operate simultaneously.

- When you try to operate two or more indoor units with one outdoor unit simultaneously, one for the cooling and the other for heating, the operation mode of the indoor unit that operates earlier is selected. The other indoor units that will start the operation later cannot operate, indicating an operation state in flashing. In this case, please set all the indoor units to the same operation mode.
- There might be a case that the indoor unit, which is operating in (AUTO) mode. Cannot change over to the operating mode (COOL ↔ HEAT) and becomes a state of standby.
- When indoor unit starts the operation while the defrosting of outdoor unit is being done, it takes a few minutes (max. about 15 minutes) to blow out the warm air.
- In the heating operation, though indoor unit that does not operate may get warm or the sound of refrigerant flowing may be heard, they are not malfunction. The reason is that the refrigerant continuously flows into it.

Automatic operation

- According to a set temperature, cooling operation starts if the room temperature is too hot and heating operation starts if the room temperature is too cold.
- During automatic operation, if the room temperature changes and remains 2 °C, 4 °F or more above the set temperature for 15 minutes, the air conditioner switches to cooling mode. In the same way, if the room temperature remains 2 °C, 4 °F or more below the set temperature for 15 minutes, the air conditioner switches to heating mode.



- Because the room temperature is automatically adjusted in order to maintain a fixed effective temperature, cooling operation is performed a few degrees warmer and heating operation is performed a few degrees cooler than the set room temperature once the temperature is reached (automatic energy-saving operation).

3.3. Fan speed setting

Note:

- The number of available fan speeds depends on the type of unit connected.
- In the following cases, the actual fan speed generated by the unit will differ from the speed shown the remote controller display.
 1. When the unit is in "STAND BY" or "DEFROST" states.
 2. When the temperature of the heat exchanger is low in the heating mode. (e.g. immediately after heating operation starts)
 3. In HEAT mode, when room temperature is higher than the temperature setting.
 4. When the unit is in DRY mode.

3.4. Airflow direction setting

Note:

- During swing operation, the directional indication on the screen does not change in sync with the directional vanes on the unit.
- Available directions depend on the type of unit connected.
- In the following cases, the actual air direction will differ from the direction indicated on the remote controller display.
 1. When the unit is in "STAND BY" or "DEFROST" states.
 2. Immediately after starting heater mode (while the system is waiting for the mode change to take effect).
 3. In heat mode, when room temperature is higher than the temperature setting.

3.5. Ventilation

► For LOSSNAY combination

- The following 2 patterns of operation is available.
 - Run the ventilator together with the indoor unit.
 - Run the ventilator independently.

Note (for RF thermostat):

- Running the ventilator independently is not available.
- No indication on the RF thermostat.

4. Timer

- Timer functions are different by each remote controller.
- For details on how to operate the remote controller, refer to the appropriate operation manual included with each remote controller.

5. Care and Cleaning

- Following indication shows that the filter needs cleaning.
 - Wired remote controller: "FILTER"
 - RF thermostat: "Clean Filter"
 - Ask authorized people to clean the filter.
- When resetting "FILTER" or "Clean Filter" display.
 - Resetting the indication, refer to the operation manual of each remote controller.

Note:

- When 2 or more different types of indoor unit are controlled, the cleaning period differs with the type of filter. When the master unit cleaning period arrives, "FILTER" is displayed. When the filter display goes off, the cumulative time is reset. (Only for wired remote controller.)
- "FILTER" or "Clean Filter" indicates the cleaning period when the air conditioner was used under general indoor air conditions by criteria time. Since the degree of dirtiness depends on the environmental conditions, clean the filter accordingly.
- The filter cleaning period cumulative time differs with the model.

► Cleaning the filters

- Clean the filters using a vacuum cleaner. If you do not have a vacuum cleaner, tap the filters against a solid object to knock off dirt and dust.
- If the filters are especially dirty, wash them in lukewarm water. Take care to rinse off any detergent thoroughly and allow the filters to dry completely before putting them back into the unit.

⚠ Caution:

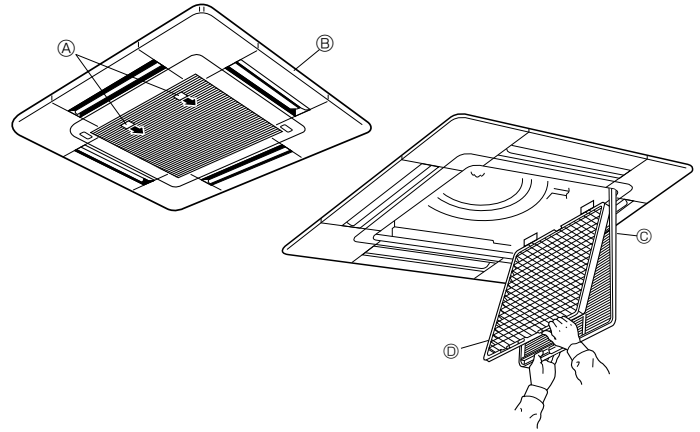
- Do not dry the filters in direct sunlight or by using a heat source, such as an electric heater: this may warp them.
- Do not wash the filters in hot water (above 122°F), as this may warp them.
- Make sure that the air filters are always installed. Operating the unit without air filters can cause malfunction.
- Before you start cleaning, stop operation and turn OFF the power supply.
- Indoor units are equipped with filters to remove the dust of sucked-in air. Clean the filters using the methods shown in the following sketches.

► Filter removal

⚠ Caution:

- In removing the filter, precautions must be taken to protect your eyes from dust. Also, if you have to climb up on a stool to do the job, be careful not to fall.
- When the filter is removed, do not touch the metallic parts inside the indoor unit, otherwise injury may result.

■ SLZ-KA-NA







- ① Pull the knob on the intake grille in the direction indicated by the arrow and it should open.
- ② Open the intake grille.
- ③ Release the knob on the center edge of the intake grille and pull the filter forward to remove the filter.

A Knob B Grille C Intake grille D Filter

6. Trouble Shooting

Having trouble?	Here is the solution. (Unit is operating normally.)
Air conditioner does not heat or cool well.	<ul style="list-style-type: none"> ■ Clean the filter. (Airflow is reduced when the filter is dirty or clogged.) ■ Check the temperature adjustment and adjust the set temperature. ■ Make sure that there is plenty of space around the outdoor unit. Is the indoor unit air intake or outlet blocked? ■ Has a door or window been left open?
When heating operation starts, warm air does not blow from the indoor unit soon.	<ul style="list-style-type: none"> ■ Warm air does not blow until the indoor unit has sufficiently warmed up.
During heating mode, the air conditioner stops before the set room temperature is reached.	<ul style="list-style-type: none"> ■ When the outdoor temperature is low and the humidity is high, frost may form on the outdoor unit. If this occurs, the outdoor unit performs a defrosting operation. Normal operation should begin after approximately 10 minutes.
When dry mode starts, the set temperature changes.	<ul style="list-style-type: none"> ■ When dry mode starts, the set temperature automatically changes to the optimum initial set temperature.

6. Trouble Shooting

Having trouble?	Here is the solution. (Unit is operating normally.)												
Airflow direction changes during operation or airflow direction cannot be set.	<ul style="list-style-type: none"> ■ During cooling mode, the vanes automatically move to the horizontal (down) position after 1 hour when the down (horizontal) airflow direction is selected. This is to prevent water from forming and dripping from the vanes. ■ During heating mode, the vanes automatically move to the horizontal airflow direction when the airflow temperature is low or during defrosting mode. 												
When the airflow direction is changed, the vanes always move up and down past the set position before finally stopping at the position.	<ul style="list-style-type: none"> ■ When the airflow direction is changed, the vanes move to the set position after detecting the base position. 												
A flowing water sound or occasional hissing sound is heard.	<ul style="list-style-type: none"> ■ These sounds can be heard when refrigerant is flowing in the air conditioner or when the refrigerant flow is changing. 												
A cracking or creaking sound is heard.	<ul style="list-style-type: none"> ■ These sounds can be heard when parts rub against each due to expansion and contraction from temperature changes. 												
The room has an unpleasant odor.	<ul style="list-style-type: none"> ■ The indoor unit draws in air that contains gases produced from the walls, carpeting, and furniture as well as odors trapped in clothing, and then blows this air back into the room. 												
A white mist or vapor is emitted from the indoor unit.	<ul style="list-style-type: none"> ■ If the indoor temperature and the humidity are high, this condition may occur when operation starts. ■ During defrosting mode, cool airflow may blow down and appear like a mist. 												
Water or vapor is emitted from the outdoor unit.	<ul style="list-style-type: none"> ■ During cooling mode, water may form and drip from the cool pipes and joints. ■ During heating mode, water may form and drip from the heat exchanger. ■ During defrosting mode, water on the heat exchanger evaporates and water vapor may be emitted. 												
The operation indicator does not appear in the wired remote controller display. (*1)	<ul style="list-style-type: none"> ■ Turn on the power switch. "●" will appear in the wired remote controller display. 												
"  appears in the wired remote controller display. (*1)	<ul style="list-style-type: none"> ■ During central control, " 												
When restarting the air conditioner soon after stopping it, it does not operate even though the ON/OFF button is pressed.	<ul style="list-style-type: none"> ■ Wait approximately three minutes. (Operation has stopped to protect the air conditioner.) 												
Air conditioner operates without the ON/OFF button being pressed. (*1)	<ul style="list-style-type: none"> ■ Is the on timer set? Press the ON/OFF button to stop operation. ■ Is the air conditioner connected to a central wired remote controller? Consult the concerned people who control the air conditioner. ■ Does " appear in the wired remote controller display? Consult the concerned people who control the air conditioner. ■ Has the auto recovery feature from power failures been set? Press the ON/OFF button to stop operation. 												
Air conditioner stops without the ON/OFF button being pressed. (*1)	<ul style="list-style-type: none"> ■ Is the off timer set? Press the ON/OFF button to restart operation. ■ Is the air conditioner connected to a central wired remote controller? Consult the concerned people who control the air conditioner. ■ Does " appear in the wired remote controller display? Consult the concerned people who control the air conditioner. 												
Wired remote controller timer operation cannot be set. (*1)	<ul style="list-style-type: none"> ■ Are timer settings invalid? If the timer can be set, (WEEKLY), (SIMPLE), or (AUTO OFF) appears in the wired remote controller display. 												
"PLEASE WAIT" appears in the wired remote controller display. (*1)	<ul style="list-style-type: none"> ■ The initial settings are being performed. Wait approximately 3 minutes. 												
An error code appears in the remote controller display.	<ul style="list-style-type: none"> ■ The protection devices have operated to protect the air conditioner. ■ Do not attempt to repair this equipment by yourself. Turn off the power switch immediately and consult your dealer. Be sure to provide the dealer with the model name and information that appeared in the remote controller display. 												
Draining water or motor rotation sound is heard.	<ul style="list-style-type: none"> ■ When cooling operation stops, the drain pump operates and then stops. Wait approximately 3 minutes. 												
Noise is louder than specifications.	<ul style="list-style-type: none"> ■ The indoor operation sound level is affected by the acoustics of the particular room as shown in the following table and will be higher than the noise specification, which was measured in an echo-free room. <table border="1" data-bbox="817 1832 1476 1989"> <thead> <tr> <th></th> <th>High sound-absorbing rooms</th> <th>Normal rooms</th> <th>Low sound-absorbing rooms</th> </tr> </thead> <tbody> <tr> <td>Location examples</td> <td>Broadcasting studio, music room, etc.</td> <td>Reception room, hotel lobby, etc.</td> <td>Office, hotel room</td> </tr> <tr> <td>Noise levels</td> <td>3 to 7 dB</td> <td>6 to 10 dB</td> <td>9 to 13 dB</td> </tr> </tbody> </table>		High sound-absorbing rooms	Normal rooms	Low sound-absorbing rooms	Location examples	Broadcasting studio, music room, etc.	Reception room, hotel lobby, etc.	Office, hotel room	Noise levels	3 to 7 dB	6 to 10 dB	9 to 13 dB
	High sound-absorbing rooms	Normal rooms	Low sound-absorbing rooms										
Location examples	Broadcasting studio, music room, etc.	Reception room, hotel lobby, etc.	Office, hotel room										
Noise levels	3 to 7 dB	6 to 10 dB	9 to 13 dB										

*1: Only for wired remote controller.

7. Installation, relocation and inspection

Installation place

Avoid installing the air conditioner in the following places.

- Where flammable gas could leak.

⚠ Caution:

Do not install the unit where flammable gas could leak.

If gas leaks and collects around the unit, it may cause an explosion.

- Where there is much machine oil.
- Salty place such as the seaside.
- Where sulfide gas is generated such as a hot spring.
- Where there is oil splashing or much oily smoke.

⚠ Warning:

If the air conditioner operates but does not cool or heat (depending on model) the room, consult your dealer since there may be a refrigerant leak. Be sure to ask the service representative whether there is refrigerant leakage or not when repairs are carried out.

The refrigerant charged in the air conditioner is safe. Refrigerant normally does not leak, however, if refrigerant gas leaks indoors, and comes into contact with the fire of a fan heater, space heater, stove, etc., harmful substances will be generated.

Electrical work

- Provide an exclusive circuit for power supply of the air conditioner.
- Be sure to observe the breaker capacity.

⚠ Warning:

- **The customer should not install this unit. If the unit is installed incorrectly, fire, electric shock, injury due to a falling unit, water leakage, etc. may result.**
- **Do not connect using branched outlet or an extension cord, and do not attach many loads to one electric outlet.**
A fire or electric shock may result from poor contact, poor insulation, exceeding the permissible current, etc.
Consult your dealer.

⚠ Caution:

- **Apply grounding**
Do not connect a grounding wire to a gas pipe, water pipe, lightning rod or ground wire of a telephone.
If a grounding is incorrect, it may cause an electric shock.
- **Install an earth leakage breaker depending on the place where the air conditioner is to be installed (humid place, etc.).**
If the earth leakage breaker is not installed, it may cause an electric shock.

Inspection and maintenance

- When the air conditioner is used for several seasons, the capacity may be lowered due to dirt inside the unit.
- Depending upon the conditions of use, an odor may be generated or dirt, dust, etc. may prevent proper drainage.
- It is recommended to apply inspection and maintenance (charged) by a specialist in addition to normal maintenance. Consult your dealer.

Also consider operation sound

- Do not put an object around the air outlet of the outdoor unit. It may cause lowering of capacity or increase operating sound.
- If abnormal sound is heard during operation, consult your dealer.

Relocation

- When the air conditioner is to be removed or reinstalled because of rebuilding, moving, etc., special techniques and work are required.

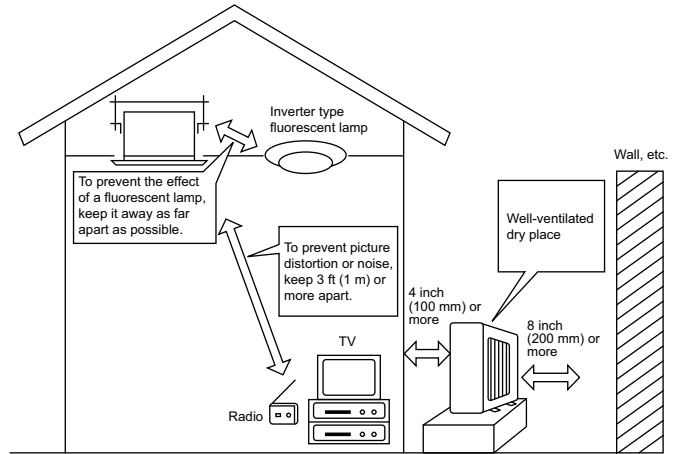
⚠ Warning:

Repair or relocation should not be done by the customer.

If this is done incorrectly, it may cause a fire, electric shock, injury by dropping of the unit, water leakage, etc. Consult your dealer.

Disposal

- To dispose of this product, consult your dealer.



If you have any question, consult your dealer.

8. Specifications

Model		SLZ-KA09NA	SLZ-KA12NA	SLZ-KA15NA
Power source		Single 208/230V, 60Hz		
Fan motor	<FLA>	0.23	0.28	0.28
MCA	<A>	1		
MOCP	<A>	15		
Dimension	(Height) <inch>	8-3/16 (25/32)		
	(Width) <inch>	22-7/16 (25-19/32)		
	(Depth) <inch>	22-7/16 (25-19/32)		
Airflow (Low-Middle-High)	DRY <CFM>	280-320-350	280-320-390	280-320-390
	WET <CFM>	250-290-320	250-290-350	250-290-350
Noise level (Low-Middle-High)	<dB>	29-32-38	30-34-39	31-35-40
Net weight	<lbs>	36 (7)		

*1 The figure in () indicates GRILL'S.

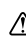
1. Consignes de sécurité.....	9	5. Entretien et nettoyage.....	12
2. Nomenclature.....	10	6. Guide de dépannage.....	12
3. Fonctionnement.....	11	7. Installation, déplacement et inspection.....	14
4. Minuterie.....	11	8. Spécifications techniques.....	15

1. Consignes de sécurité

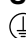
- ▶ Avant d'installer le climatiseur, lire attentivement toutes les "Consignes de sécurité".
- ▶ Les "Consignes de sécurité" reprennent des points très importants concernant la sécurité. Veuillez bien à les suivre.
- ▶ Veuillez consulter ou obtenir la permission votre compagnie d'électricité avant de connecter votre système.

Symboles utilisés dans le texte

 **Avertissement:**
Précautions à suivre pour éviter tout danger de blessure ou de décès de l'utilisateur.

 **Précaution:**
Décrit les précautions qui doivent être prises pour éviter d'endommager l'appareil.

Symboles utilisés dans le illustrations

 : Indique un élément qui doit être mis à la terre.

Avertissement:

- Cet appareil ne doit pas être installé par l'utilisateur. Demander au revendeur ou à une société agréée de l'installer. Si l'appareil n'est pas correctement installé il peut y avoir un risque de fuite d'eau, d'électrocution ou d'incendie.
- Ne pas marcher sur l'appareil ni y déposer des objets.
- Ne jamais éclabousser l'appareil ni le toucher avec des mains humides. Il pourrait en résulter un risque d'électrocution.
- Ne pas vaporiser de gaz inflammable à proximité de l'appareil sous risque d'incendie.
- Ne pas placer de chauffage au gaz ou tout autre appareil fonctionnant avec une flamme vive là où il serait exposé à l'échappement d'air du climatiseur. Cela risquerait de provoquer une mauvaise combustion.
- Ne pas retirer la face avant ou la protection du ventilateur de l'appareil extérieur pendant son fonctionnement.

- Si vous remarquez des vibrations ou des bruits particulièrement anormaux, arrêter l'appareil, éteindre l'interrupteur et prendre contact avec le revendeur.
- Ne jamais mettre des doigts, des bâtons, etc. dans les entrées et sorties d'air.
- Si vous sentez des odeurs étranges, arrêter l'appareil, le mettre hors tension et contacter le revendeur. Si vous ne procédez pas de cette façon, il pourrait y avoir risque de panne, d'électrocution ou d'incendie.
- Ne JAMAIS laisser des enfants ou des personnes handicapées utiliser le climatiseur sans surveillance.
- Toujours surveiller que les jeunes enfants ne jouent pas avec le climatiseur.
- Si le gaz de réfrigérant fuit, arrêter le fonctionnement du climatiseur, aérer convenablement la pièce et prendre contact avec le revendeur.

Précaution:

- Ne pas utiliser d'objet pointu pour enfoncer les boutons car cela risquerait d'endommager la commande à distance.
- Ne jamais obstruer les entrées et sorties des appareils extérieurs et intérieurs.

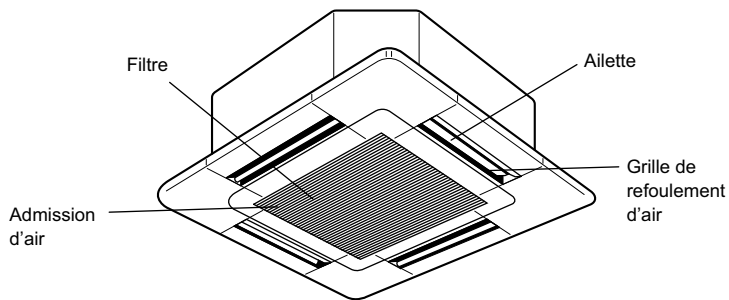
Rangement de l'appareil

Lorsque vous devez ranger l'appareil, veuillez consulter votre revendeur.

2. Nomenclature

■ Unité interne

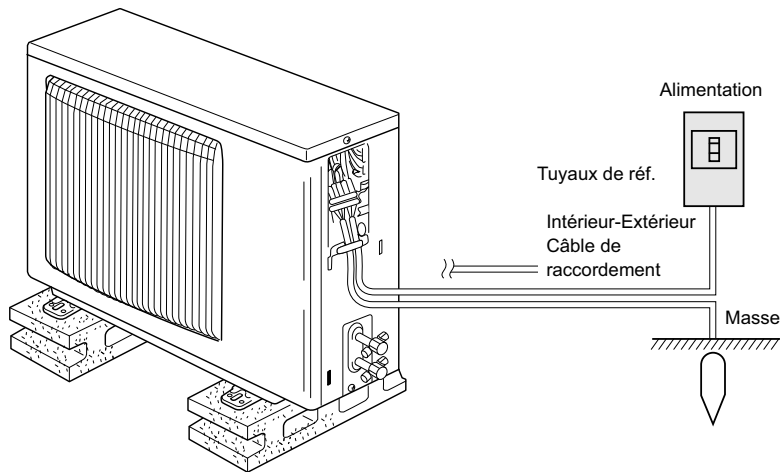
Plafonnier à Cassette 4 volets



■ Unité interne

	SLZ-KA-NA
Modes du ventilateur	3 modes
Ailette	Auto avec variation
Louvre	—
Filtre	Longue durée
Témoin de nettoyage du filtre	2.500 heures

■ Unité externe



■ Télécommande à distance (Pièces en option)

Interface radiofréquence	Télécommande à fil
Thermostat radiofréquence (RF)	

3. Fonctionnement

- Concernant le mode de fonctionnement, reportez-vous au manuel d'utilisation fourni avec chaque télécommande.

3.1. MARCHE/ARRET

Remarque:

Même si vous appuyez sur le bouton ON/OFF immédiatement après avoir arrêté la fonction en cours, le climatiseur ne se remettra en route que 3 minutes plus tard. Ceci est une précaution pour éviter l'endommagement de tout composant interne.

3.2. Sélection du mode de fonctionnement

Les modes de refroidissement/d'assèchement/de soufflerie/de chauffage/automatique (refroidissement/chauffage)/de ventilation sont disponibles.

Remarque:

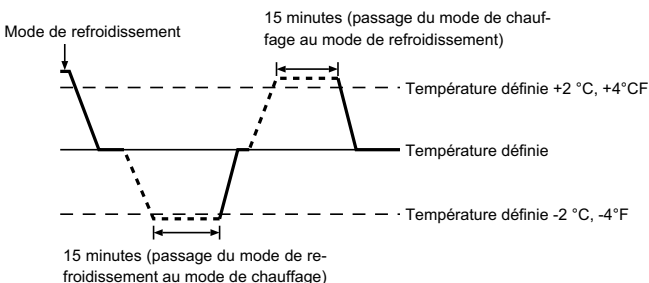
- Les modes de chauffage et automatique ne sont pas disponibles pour les appareils de refroidissement uniquement.
- Le mode de ventilation : uniquement indiqué dans les conditions suivantes. La télécommande filaire est utilisée et un appareil LOSSNAY est branché.

Informations concernant les climatiseurs multisystèmes (Appareil extérieur de la série MXZ)

- ▶ Les climatiseurs multi-systèmes (avec un appareil extérieur de la série MXZ) permettent de raccorder deux ou davantage d'appareils intérieurs à un appareil extérieur. En fonction de la capacité, plusieurs appareils intérieurs peuvent ainsi fonctionner simultanément.
- Lorsque vous essayez de faire fonctionner simultanément deux ou davantage d'appareils intérieurs reliés à un seul appareil extérieur, un pour le refroidissement et l'autre pour le chauffage, le mode de fonctionnement sélectionné sera celui de l'appareil intérieur qui a été mis en fonctionnement en premier. Les autres appareils intérieurs qui doivent se mettre en marche ultérieurement ne fonctionnent pas ; un voyant clignotant indique un état de fonctionnement. Dans ce cas, régler tous les appareils intérieurs sur le même mode de fonctionnement.
- Il se peut que l'unité intérieure, qui fonctionne en mode (AUTO), ne puisse passer en mode (REFROIDISSEMENT ↔ CHAUFFAGE) et se mette en veille.
- Lorsque l'appareil intérieur se met en fonctionnement alors que le dégivrage de l'appareil extérieur est en cours, il faut laisser passer quelques minutes (max. environ 15 minutes) avant que l'appareil ne souffle de l'air chaud.
- Lorsque l'appareil fonctionne en mode chauffage, si le dessus de l'appareil chauffe ou que vous entendez le flux de gaz à l'intérieur, cette situation n'a rien d'anormal. Le gaz réfrigérant circule en effet de manière continue dans l'appareil intérieur même si celui-ci ne fonctionne pas.

Fonctionnement automatique

- En fonction de la température définie préalablement, l'opération de refroidissement débutera si la température de la pièce est trop élevée ; à l'inverse, l'opération de chauffage débutera si la température de la pièce est trop basse.
- En mode de fonctionnement automatique, le climatiseur passera en mode de refroidissement si la température de la pièce varie et affiche 2 °C, 4 °F ou plus au-dessus de la température définie pendant 15 minutes. De la même façon, le climatiseur passera en mode de chauffage si la température de la pièce affiche 2 °C, 4 °F ou plus au-dessous de la température définie pendant 15 minutes.



- La température de la pièce étant ajustée automatiquement de façon à rester stable, l'opération de refroidissement se met en marche à quelques degrés au-dessus, et l'opération de chauffage à quelques degrés au-dessous, de la température définie lorsque cette dernière est atteinte (fonction automatique d'économie d'énergie).

3.3. Réglage de la vitesse du ventilateur

Remarque:

- Le nombre de ventilateurs disponible dépend du type d'unité connectée.
- Dans les cas suivants, la vitesse de ventilation actuelle générée par l'unité différera de la vitesse indiquée au niveau de la commande à distance.
 1. Lorsque l'appareil indique "PRE CHAUFFAGE" ou "DEGIVRAGE".
 2. Lorsque la température de l'échangeur thermique est basse en mode de chauffage. (par ex. immédiatement après le lancement de l'opération de chauffage)
 3. En mode CHAUFFAGE, quand la température ambiante dans la pièce est supérieure à la température réglée.
 4. Quand l'unité est en mode SEC.

3.4. Réglage de la direction du débit d'air

Remarque:

- Pendant l'oscillation, l'indication directionnelle à l'écran ne change pas en synchronisation avec les ailettes de l'unité.
- Les directions disponibles dépendent du type d'unités connectées.
- Dans les cas suivants, la direction actuelle de l'air différera de la direction indiquée au niveau de la commande à distance.
 1. Lorsque l'appareil indique "PRE CHAUFFAGE" ou "DEGIVRAGE".
 2. Immédiatement après le démarrage du mode CHAUFFAGE (alors que le système attend que le changement de mode se fasse).
 3. En mode chauffage, quand la température ambiante dans la pièce est supérieure à la température réglée.

3.5. Ventilation

▶ Pour les appareils combinés LOSSNAY

- Les 2 modèles de fonctionnement suivants sont disponibles.
 - Lancer le ventilateur conjointement à l'unité intérieure.
 - Faire fonctionner le ventilateur indépendamment.

Remarque (pour le thermostat RF):

- Impossible de faire fonctionner le ventilateur indépendamment.
- Aucune indication sur le thermostat RF.

4. Minuterie

- Les fonctions de minuterie sont différentes pour chaque télécommande.
- Pour plus de détails sur le mode de fonctionnement de la télécommande, reportez-vous au manuel d'utilisation approprié fourni avec chaque télécommande.

5. Entretien et nettoyage

- Les indications suivantes indiquent qu'il convient de nettoyer le filtre.
 - Télécommande filaire: "FILTER" (filtre)
 - Thermostat RF: "Clean Filter" (nettoyer le filtre)
 Demandez à une personne autorisée de nettoyer le filtre.
- Pour réinitialiser l'affichage "FILTER" (filtre) ou "Clean Filter" (nettoyer le filtre): pour réinitialiser l'indication, reportez-vous au manuel d'utilisation de chaque télécommande à distance.

Remarque:

- Si 2 types d'appareils intérieurs (ou plus) sont contrôlés, la période entre les nettoyages dépend du type de filtre. Si vous devez nettoyer le filtre de l'appareil principal, "FILTER" (filtre) s'affiche. Si l'affichage s'éteint, la période cumulée est réinitialisée. (uniquement pour la télécommande à fil)
- "FILTER" (filtre) ou "Clean Filter" (nettoyer le filtre) indique la période entre les nettoyages en heure si le climatiseur est utilisé dans des conditions d'air intérieur normales. Toutefois, le degré d'encrassement du filtre dépend des conditions environnementales ; nettoyez-le donc en conséquence.
- La période cumulée avant le nettoyage du filtre varie selon les modèles.

► Nettoyage des filtres

- Nettoyer les filtres avec un aspirateur. Si vous ne possédez pas d'aspirateur, battre les filtres contre un objet dur afin de les secouer et de retirer toutes les saletés et la poussière.
- Si les filtres sont particulièrement sales, les laver à l'eau tiède. Veiller à rincer soigneusement toute trace de détergent et laisser sécher les filtres complètement avant de les remonter dans le climatiseur.

⚠ Précaution:

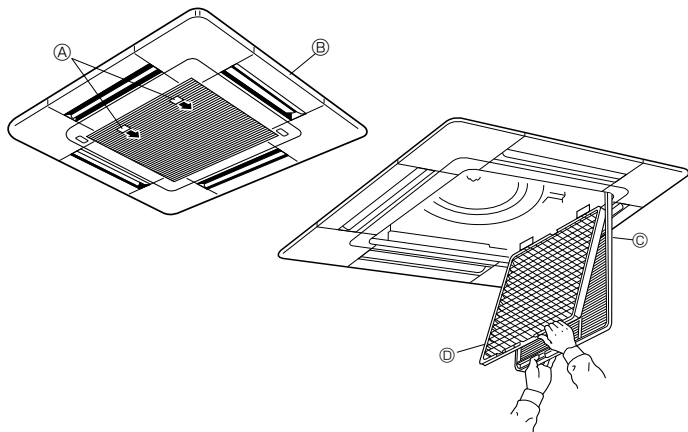
- Ne jamais laisser sécher les filtres au soleil ni les sécher en utilisant une source de chaleur comme un chauffage électrique : vous risqueriez de les déformer.
- Ne jamais laver les filtres à l'eau chaude (au-dessus de 122°F) car vous risqueriez de les faire gondoler.
- Veiller à ce que les filtres à air soient toujours en place. La mise en marche de l'appareil alors que les filtres sont retirés pourrait en effet être à l'origine d'un mauvais fonctionnement.
- Avant de commencer le nettoyage, arrêter l'appareil et couper l'alimentation.
- Les appareils intérieurs sont équipés de filtres servant à extraire les poussières de l'air aspiré. Nettoyer les filtres selon les méthodes illustrées ci-après.

► Retrait du filtre

⚠ Précaution:

- Lors du retrait du filtre, se protéger les yeux de la poussière. Si vous devez monter sur le rebord d'une fenêtre pour effectuer l'opération, attention de ne pas tomber.
- Une fois le filtre retiré, ne pas toucher les pièces métalliques internes de l'appareil intérieur sous peine de blessure.

■ SLZ-KA-NA



- ① Tirer le bouton de la grille d'aspiration dans le sens indiqué par la flèche pour ouvrir la grille.
- ② Ouvrir la grille d'aspiration.
- ③ Dégager le bouton situé au centre du bord de la grille d'aspiration et tirer le filtre vers l'avant pour l'extraire.

Ⓐ Bouton Ⓑ Grille Ⓒ Grille d'aspiration Ⓓ Filtre

6. Guide de dépannage

En cas de problème :	Voici la solution. (L'appareil fonctionne normalement.)
Le climatiseur ne chauffe ni ne refroidit correctement.	<ul style="list-style-type: none"> ■ Nettoyez le filtre. (Le débit d'air est réduit lorsque le filtre est sale ou colmaté.) ■ Contrôlez la température et ajustez la température définie en conséquence. ■ Assurez-vous qu'il y a suffisamment d'espace autour de l'appareil extérieur. L'admission ou la sortie d'air de l'appareil intérieur est-elle bloquée ? Une porte ou une fenêtre a-t-elle été laissée ouverte ?
Lorsque l'opération de chauffage débute, de l'air chaud n'est pas expulsé immédiatement de l'appareil intérieur.	<ul style="list-style-type: none"> ■ De l'air chaud est expulsé uniquement lorsque l'appareil intérieur est suffisamment chaud.
En mode de chauffage, le climatiseur s'arrête avant que la température définie pour la pièce soit atteinte.	<ul style="list-style-type: none"> ■ Lorsque la température extérieure est basse et l'humidité de l'air importante, du givre peut se former sur l'appareil extérieur. Dans ce cas, l'appareil extérieur procède à une opération de dégivrage. Un fonctionnement normal de l'appareil devrait débiter au bout de 10 minutes environ.
Au démarrage du mode de déshumidification, la température programmée est modifiée.	<ul style="list-style-type: none"> ■ Au démarrage du mode de déshumidification, la température programmée est automatiquement modifiée pour devenir la température programmée initiale optimale.

6. Guide de dépannage

En cas de problème :	Voici la solution. (L'appareil fonctionne normalement.)												
La direction du débit d'air varie pendant l'opération ou la direction ne peut être définie.	<ul style="list-style-type: none"> ■ En mode de refroidissement, les ailettes se placent automatiquement en position horizontale (basse) au bout d'une (1) heure lorsqu'une direction de débit d'air basse (horizontale) est sélectionnée. Ceci évite la formation d'eau sur les ailettes et prévient tout suintement. ■ En mode de chauffage, les ailettes se placent automatiquement en position horizontale lorsque la température du débit d'air est basse ou pendant le mode de dégivrage. 												
Lorsque la direction du débit d'air est modifiée, les ailettes se déplacent toujours vers le haut et vers le bas au-delà de la position déterminée avant de s'arrêter sur la position souhaitée.	■ Lorsque la direction du débit d'air est modifiée, les ailettes se placent sur la position déterminée après être passées par la position de base.												
Un bruit d'eau qui ruisselle ou plus rarement un souffle peut être perçu.	■ Ces bruits peuvent être perçus lorsque le réfrigérant circule dans le climatiseur ou lorsque le flux du réfrigérant a été modifié.												
Un craquement ou un grincement peut être perçu.	■ Ces bruits peuvent être perçus lorsque les pièces du climatiseur frottent les unes contre les autres en raison de l'expansion et de la contraction qui résultent des variations de température.												
La pièce a une odeur désagréable.	■ L'appareil intérieur aspire de l'air qui contient des gaz produits par les murs, les moquettes et les meubles ainsi que des odeurs véhiculées par les vêtements, puis il les expulse à nouveau dans la pièce.												
Une buée ou vapeur blanche sort de l'appareil intérieur.	<ul style="list-style-type: none"> ■ Si la température intérieure et l'humidité de l'air sont élevées, cette situation peut se produire en début d'opération. ■ En mode de dégivrage, de l'air froid peut être expulsé et avoir l'apparence de la buée. 												
De l'eau ou de la vapeur sort de l'appareil extérieur.	<ul style="list-style-type: none"> ■ En mode de refroidissement, de l'eau peut se former et suinter des tuyaux et des raccords froids. ■ En mode de chauffage, de l'eau peut se former et suinter de l'échangeur thermique. ■ En mode de dégivrage, l'eau présente sur l'échangeur thermique s'évapore provoquant ainsi une émission de vapeur d'eau. 												
Le témoin de fonctionnement n'apparaît pas sur l'écran de la télécommande à fil. (*1)	■ Mettez l'appareil sous tension. Le signe "●" apparaîtra sur l'écran de la télécommande à fil.												
Le signe "☒" apparaît sur l'écran de la télécommande à fil. (*1)	■ Lors du contrôle centralisé, le signe "☒" apparaît sur l'écran de la télécommande à fil et le fonctionnement du climatiseur ne peut être lancé ou arrêté à l'aide de la télécommande à fil.												
Lorsque le climatiseur est redémarré immédiatement après avoir été éteint, son fonctionnement est bloqué même si la touche "ON/OFF" (Marche/Arrêt) est sollicitée.	■ Patientez trois minutes environ. (Le fonctionnement s'est arrêté pour protéger le climatiseur.)												
Le climatiseur fonctionne sans que la touche "ON/OFF" (Marche/Arrêt) soit sollicitée. (*1)	<ul style="list-style-type: none"> ■ La fonction de marche de la minuterie a-t-elle été réglée ? Appuyez sur la touche "ON/OFF" (Marche/Arrêt) pour l'arrêter. ■ Le climatiseur est-il relié à une télécommande à fil centralisée ? Veuillez consulter les personnes responsables du contrôle du climatiseur. ■ Le signe "☒" apparaît-il sur l'écran de la télécommande à fil ? Veuillez consulter les personnes responsables du contrôle du climatiseur. ■ La fonction de recouvrement auto en cas de coupure d'électricité a-t-elle été réglée ? Appuyez sur la touche "ON/OFF" (Marche/Arrêt) pour l'arrêter. 												
Le climatiseur s'arrête sans que la touche "ON/OFF" (Marche/Arrêt) soit sollicitée. (*1)	<ul style="list-style-type: none"> ■ La fonction d'arrêt de la minuterie a-t-elle été réglée ? Appuyez sur la touche "ON/OFF" (Marche/Arrêt) pour relancer l'opération. ■ Le climatiseur est-il relié à une télécommande à fil centralisée ? Veuillez consulter les personnes responsables du contrôle du climatiseur. ■ Le signe "☒" apparaît-il sur l'écran de la télécommande à fil ? Veuillez consulter les personnes responsables du contrôle du climatiseur. 												
Le fonctionnement de la minuterie de la télécommande à fil ne peut pas être réglé. (*1)	■ Les paramètres de la minuterie sont-ils invalides ? Si la minuterie peut être réglée, les signes (WEEKLY), (SIMPLE), ou (AUTO OFF) doivent apparaître sur l'écran de la télécommande à fil.												
Le message "PLEASE WAIT" (VEUILLEZ PATIENTER) apparaît sur l'écran de la télécommande à fil. (*1)	■ Les paramètres initiaux sont en cours d'exécution. Patientez trois minutes environ.												
Un code d'erreur apparaît sur l'écran de la télécommande.	<ul style="list-style-type: none"> ■ Les dispositifs de protection ont fonctionné pour protéger le climatiseur. ■ N'essayez pas de réparer cet appareil vous-même. Mettez l'appareil hors tension immédiatement et consultez votre revendeur. Vous devrez fournir au revendeur le nom du modèle et les informations qui apparaissent sur l'écran de la télécommande. 												
Un bruit de goutte à goutte ou de moteur qui tourne peut être perçu.	■ A l'arrêt de l'opération de refroidissement, la pompe de vidange se met en marche puis s'arrête. Patientez 3 minutes environ.												
Le bruit perçu est supérieur aux caractéristiques sonores.	<ul style="list-style-type: none"> ■ Le niveau sonore du fonctionnement intérieur dépend de l'acoustique de la pièce dans laquelle l'appareil est installé (voir tableau suivant), et sera supérieur aux caractéristiques sonores (mesurées dans une pièce sans écho). <table border="1" data-bbox="831 1854 1490 2004"> <thead> <tr> <th></th> <th>Pièces présentant une absorption phonique élevée</th> <th>Pièces présentant une absorption phonique normale</th> <th>Pièces présentant une absorption phonique faible</th> </tr> </thead> <tbody> <tr> <td>Exemples de pièce</td> <td>Studio de radio-diffusion, salle de musique, etc.</td> <td>Salle de réception, entrée d'hôtel, etc.</td> <td>Bureau, chambre d'hôtel</td> </tr> <tr> <td>Niveaux sonores</td> <td>3 à 7 dB</td> <td>6 à 10 dB</td> <td>9 à 13 dB</td> </tr> </tbody> </table>		Pièces présentant une absorption phonique élevée	Pièces présentant une absorption phonique normale	Pièces présentant une absorption phonique faible	Exemples de pièce	Studio de radio-diffusion, salle de musique, etc.	Salle de réception, entrée d'hôtel, etc.	Bureau, chambre d'hôtel	Niveaux sonores	3 à 7 dB	6 à 10 dB	9 à 13 dB
	Pièces présentant une absorption phonique élevée	Pièces présentant une absorption phonique normale	Pièces présentant une absorption phonique faible										
Exemples de pièce	Studio de radio-diffusion, salle de musique, etc.	Salle de réception, entrée d'hôtel, etc.	Bureau, chambre d'hôtel										
Niveaux sonores	3 à 7 dB	6 à 10 dB	9 à 13 dB										

*1 : Uniquement pour la télécommande à fil.

7. Installation, déplacement et inspection

Conseils concernant l'emplacement

Évitez d'installer le climatiseur dans les endroits suivants.

- Où il y a risque de fuite de gaz inflammable.

⚠ Prudence:

N'installez pas l'appareil dans un endroit où il pourrait y avoir une fuite de gaz combustible.

Si le gaz fuit et s'accumule autour de l'appareil, il y aura un risque d'explosion.

- Où il y a grande quantité d'huile pour machines.
- Dans un endroit à haute teneur en sel, par exemple au bord de la mer.
- Près d'une source chaude émanant du soufre.
- Où il pourrait y avoir des éclaboussures d'huile ou de la fumée de graisse.

⚠ Avertissement:

Si le climatiseur fonctionne sans refroidir ou sans chauffer la pièce (en fonction du modèle), contacter le revendeur car il pourrait alors y avoir une fuite de gaz réfrigérant. Toujours demander au représentant du service technique s'il n'y a pas de fuite de réfrigérant après une intervention technique.

Le réfrigérant présent dans le climatiseur est sûr et normalement il ne doit pas y avoir de fuite. Néanmoins, en cas de fuite à l'intérieur, si le gaz réfrigérant entre en contact avec la partie chauffante d'un chauffage à ventilation, d'un chauffage d'appoint, d'un poêle, etc., il dégagera des substances toxiques.

Installation électrique

- Installez un circuit électrique réservé exclusivement au climatiseur.
- Respectez la capacité du disjoncteur.

⚠ Avertissement:

Le client ne doit pas installer l'appareil. Si l'installation n'est pas effectuée correctement, il y aura risque d'incendie, de choc électrique, de blessure (si l'appareil tombe), de fuite d'eau, etc.

- N'utilisez pas de dérivation ou de rallonge pour le connecter, et ne branchez pas plusieurs appareils à la même prise.
Un incendie ou un choc électrique pourrait être le résultat d'un mauvais contact, une mauvaise isolation, trop de courant, etc.
Veuillez consulter votre concessionnaire.

⚠ Prudence:

- Mettez à la terre.
Ne connectez pas un fil de mise à la terre à un tuyau de gaz, un tuyau d'eau, un paratonnerre ou au fil de mise à la terre d'un téléphone.
Une mauvaise mise à la terre pourrait être la cause d'un choc électrique.
- Installez un disjoncteur différentiel selon l'endroit où le climatiseur sera installé (endroit humide, etc.).
Si le disjoncteur différentiel n'est pas installé, il y aura risque de choc électrique.

Inspection et entretien

- Quand le climatiseur est utilisé pendant plusieurs saisons, sa performance peut être amoindrie du fait de saletés se trouvant à l'intérieur de l'appareil.
- Suivant les conditions d'utilisation, il se peut qu'il y ait une odeur ou que l'eau accumulée durant l'assèchement ne s'évacue pas correctement à cause de la saleté, la poussière, etc.
- Il est recommandé de faire inspecter et réviser l'appareil (à vos frais) par un spécialiste en plus de l'entretien normal. Veuillez consulter votre concessionnaire.

Bruit de l'appareil

- Ne placez pas d'objet près de la sortie d'air de l'appareil extérieur. Cela pourrait en amoindrir la performance ou augmenter le bruit durant le fonctionnement.
- Si un bruit anormal est entendu pendant la marche, veuillez consulter votre concessionnaire.

Déplacement

- Quand le climatiseur doit être enlevé ou réinstallé à cause de travaux, d'un déménagement, etc., cela doit être fait par un technicien qualifié.

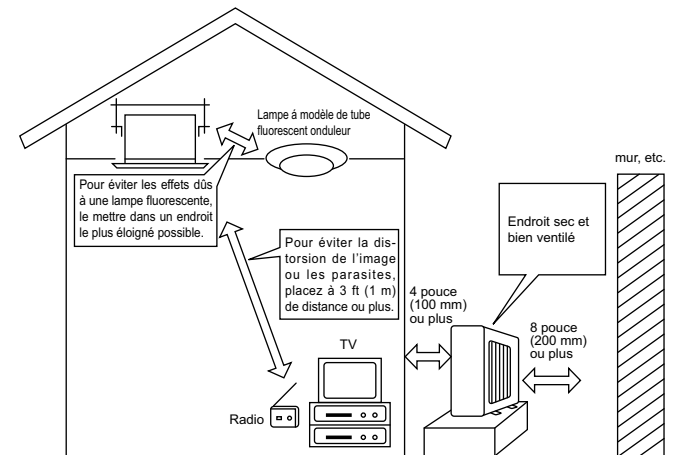
⚠ Avertissement:

Le client ne doit pas réparer ou déplacer l'appareil lui-même.

Si cela est fait incorrectement, il y aura risque d'incendie, de choc électrique, de blessure (si l'appareil tombe), de fuite d'eau, etc. Veuillez consulter votre concessionnaire.

Pour s'en débarrasser

- Pour jeter ce produit, veuillez consulter votre concessionnaire.



Si vous avez d'autres questions, veuillez consulter votre concessionnaire.

8. Spécifications techniques

Modèle		SLZ-KA09NA	SLZ-KA12NA	SLZ-KA15NA
Alimentation de l'appareil		Single 208/230V, 60Hz		
Moteur du ventilateur	<FLA>	0,23	0,28	0,28
MCA	<A>	1		
MOCP	<A>	15		
Dimension	(Hauteur) <pouce>	8-3/16 (25/32)		
	(Largeur) <pouce>	22-7/16 (25-19/32)		
	(Profondeur) <pouce>	22-7/16 (25-19/32)		
Débit d'air (Faible - Moyenne - Elevé)	DRY <CFM>	280-320-350	280-320-390	280-320-390
	WET <CFM>	250-290-320	250-290-350	250-290-350
Niveau de bruit (Faible - Moyenne - Elevé)	<dB>	29-32-38	30-34-39	31-35-40
Poids net	<lbs>	36 (7)		

*1 Le chiffre entre () indique la valeur reprise sur la grille.

1. Medidas de Seguridad.....	16	5. Mantenimiento y limpieza.....	19
2. Nombres de las piezas.....	17	6. Localización de fallos.....	19
3. Manejo.....	18	7. Instalación, reubicación e inspección.....	21
4. Temporizador.....	18	8. Especificaciones.....	22

1. Medidas de Seguridad

- ▶ Antes de instalar la unidad, asegúrese de haber leído el capítulo de "Medidas de seguridad".
- ▶ Las "Medidas de seguridad" señalan aspectos muy importantes sobre seguridad. Es importante que se cumplan todos.
- ▶ Antes de conectar el sistema, informe al servicio de suministro o pídale permiso para efectuar la conexión.

Símbolos utilizados en el texto

⚠ Atención:

Describe precauciones que deben tenerse en cuenta para evitar el riesgo de lesiones o muerte del usuario.

⚠ Cuidado:

Describe las precauciones que se deben tener para evitar daños en la unidad.

Símbolos utilizados en las ilustraciones

⏚ : Indica una pieza que debe estar conectada a tierra.

⚠ Atención:

- La unidad no debe ser instalada por el usuario. Pida a su distribuidor o a una empresa debidamente autorizada que se lo instale. La incorrecta instalación de la unidad puede dar lugar a goteo de agua, descarga eléctrica o fuego.
- No se suba encima ni coloque objetos sobre la unidad.
- No vierta agua sobre la unidad ni la toque con las manos húmedas. Puede producirse una descarga eléctrica.
- No rocíe gases combustibles en las proximidades de la unidad. Puede haber riesgo de incendio.
- No coloque calentadores de gas o cualquier otro aparato de llama abierta expuestos a la corriente de aire descargada por la unidad. Puede dar lugar a una combustión incompleta.
- No extraiga el panel frontal del ventilador de la unidad exterior mientras esté en funcionamiento.

- Cuando note ruidos o vibraciones que no sean normales, pare la unidad, desconecte la fuente de alimentación y póngase en contacto con su proveedor.
- No inserte nunca dedos, palos, etc. en las tomas o salidas de aire.
- Si detecta olores raros pare la unidad, desconecte el interruptor de red y consulte con su distribuidor. De lo contrario puede haber una rotura, una descarga eléctrica o fuego.
- Este aparato de aire acondicionado NO debe ser utilizado por niños ni por personas inválidas sin el control de una persona adulta.
- Los niños pequeños deben estar vigilados por personas adultas para impedir que jueguen con el equipo de aire acondicionado.
- Si se producen fugas de gas refrigerante, pare la unidad, ventile bien la habitación y avise a su proveedor.

⚠ Cuidado:

- No utilice objetos puntiagudos para apretar los botones ya que podría dañarse el controlador remoto.
- No bloquee ni cubra nunca las tomas y salidas de las unidades interior y exterior.

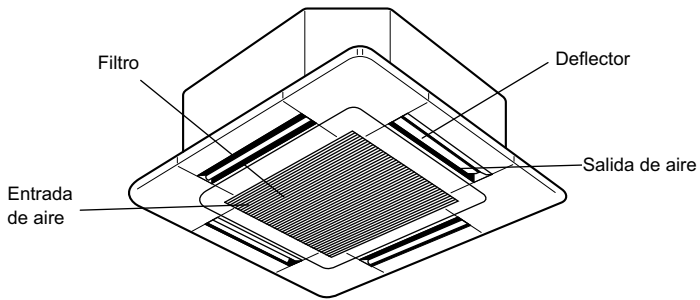
Eliminación de la unidad

Cuando deba eliminar la unidad, consulte con su distribuidor.

2. Nombres de las piezas

■ Unidad interior

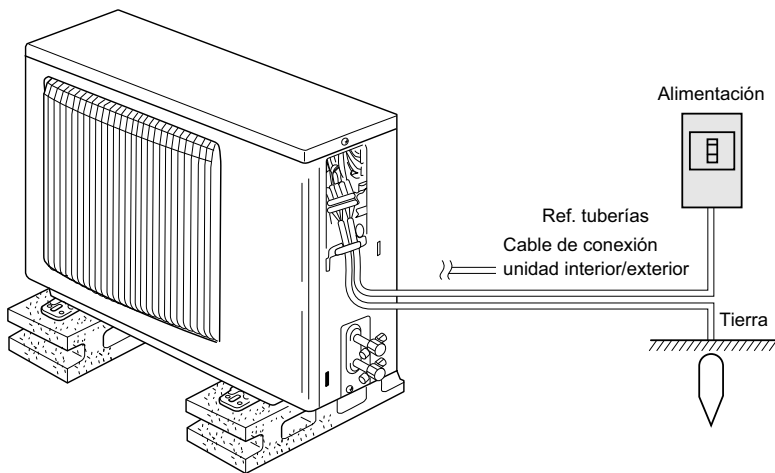
Modelo empotrado en techo de 4 direcciones



■ Unidad interior

	SLZ-KA-NA
Pasos del ventilador	3 pasos
Deflector	Automático oscilante
Rejilla	—
Filtro	Larga duración
Indicación de limpieza de filtro	2.500 horas

■ Unidad exterior



■ Controlador remoto (piezas opcionales)

Interfaz de radiofrecuencia	Controlador remoto cableado
Termostato de radiofrecuencia	

3. Manejo

- Para obtener información sobre el método de funcionamiento, consulte el manual de instrucciones suministrado con cada controlador remoto.

3.1. Encendido y apagado

Nota:

Aunque pulse una vez más el botón de encendido ON/OFF inmediatamente después de apagar el aparato, el acondicionador de aire no se pondrá en marcha hasta pasados 3 minutos. Esto tiene como fin evitar daños en los componentes internos.

3.2. Selección del modo de funcionamiento

Están disponibles los modos de Refrigeración/Secado/Ventilador/Calefacción/Automático (refrigeración/calefacción)/Ventilación.

Nota:

- Los modos Calefacción y Automático no pueden estar disponibles en las unidades de refrigeración exclusivamente.
- Modo Ventilación: sólo se indica en la siguiente condición. Se utiliza el controlador remoto cableado y la combinación LOSSNAY está conectada.

Información sobre los equipos de aire acondicionado multisistema (Unidad exterior: serie MXZ)

► Los equipos de aire acondicionado multisistema (unidad exterior de la serie MXZ) permiten conectar dos o más unidades interiores a una sola unidad exterior. Estas unidades interiores (dos o más) podrán funcionar simultáneamente, dependiendo de la capacidad del equipo.

- Si intenta poner en funcionamiento de manera simultánea dos o más unidades interiores conectadas a una sola unidad exterior, una para la refrigeración y otra para la calefacción, el equipo selecciona el modo de funcionamiento de la unidad interior que ha de funcionar en primer término.

Las demás unidades interiores, que tendrán que ponerse en funcionamiento posteriormente, no pueden activarse y mostrarán un estado de funcionamiento que parpadeará.

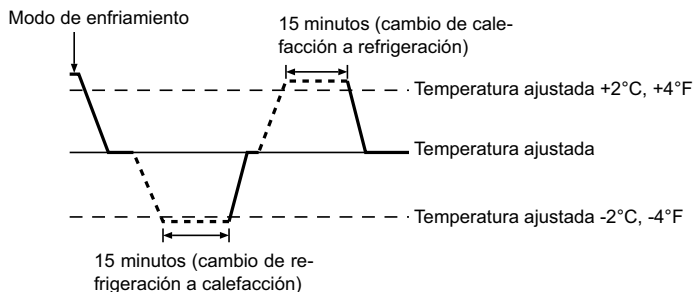
En este caso, seleccione el mismo modo de funcionamiento en todas las unidades interiores.

- Puede darse el caso de que la unidad interior, que esté funcionando en modo (AUTO), no pueda cambiar entre los modos (FRÍO ↔ CALOR) y quede en estado de espera.
- Si la unidad interior empieza a funcionar al mismo tiempo que la unidad exterior está eliminando la escarcha, tardará unos minutos (Máx. 15 minutos aproximadamente) en generar aire caliente.
- En el modo de calefacción, aunque la unidad interior no esté en funcionamiento, es posible que dicha unidad se caliente o se oiga el ruido del refrigerante, pero esto no supone ninguna anomalía. Lo que sucede es que el refrigerante circula continuamente dentro de la unidad interior.

Funcionamiento automático

- De acuerdo con la temperatura ajustada, el funcionamiento de refrigeración comenzará si la temperatura de la sala es demasiado alta. El modo de calefacción comenzará si la temperatura de la sala es demasiado baja.

- Durante el funcionamiento automático, si la temperatura de la sala cambia y permanece 2 °C, 4 °F o más por encima de la temperatura ajustada durante 15 minutos, el acondicionador de aire cambiará a modo de refrigeración. Asimismo, si la temperatura permanece 2 °C, 4 °F o más por debajo de la temperatura ajustada durante 15 minutos, el acondicionador de aire cambiará a modo de calefacción.



- Como la temperatura ambiente se ajusta automáticamente para mantener una temperatura efectiva fija, el modo de refrigeración se activa un par de grados por encima de la temperatura ajustada (y el modo de calefacción, un par de grados por debajo) una vez alcanzada dicha temperatura (modo automático de ahorro de energía).

3.3. Ajuste de la velocidad del ventilador

Nota:

- El número de velocidades del ventilador disponibles depende del tipo de unidad conectada.
- En los siguientes casos, la velocidad real del ventilador generada por la unidad diferirá de la velocidad mostrada en la pantalla del mando a distancia.
 1. Cuando la unidad está en los estados "CALENTANDO" o "DESCONGELACIÓN".
 2. Cuando la temperatura del intercambiador de calor es baja en modo de calefacción (por ejemplo, inmediatamente después de que se active el modo de calefacción).
 3. En modo HEAT, cuando la temperatura ambiente de la habitación es superior al valor de configuración de la temperatura.
 4. Cuando la unidad esté en modo DRY.

3.4. Ajuste de la dirección del flujo de aire

Nota:

- Durante la operación de oscilación, la indicación de dirección en la pantalla no cambia al mismo tiempo que los deflectores direccionales de la unidad.
- Las direcciones disponibles dependen del tipo de unidad conectada.
- En los siguientes casos, la dirección real del aire diferirá de la dirección indicada en la pantalla del mando a distancia.
 1. Cuando la unidad está en los estados "CALENTANDO" o "DESCONGELACIÓN".
 2. Inmediatamente después de iniciar el modo calentador (durante la espera para la realización del cambio).
 3. En modo calentador, cuando la temperatura ambiente de la sala sea superior a la configuración de la temperatura.

3.5. Ventilación

► Para combinación LOSSNAY

- Están disponibles los siguientes 2 modelos de funcionamiento.
 - Funcionamiento del ventilador y de la unidad interior simultáneamente.
 - Funcionamiento independiente del ventilador.

Nota (para el termostato de radiofrecuencia):

- El funcionamiento independiente del ventilador no está disponible.
- Ninguna indicación en el termostato de radiofrecuencia.

4. Temporizador

- Las funciones de temporizador son distintas en cada controlador remoto.
- Para obtener información sobre el manejo del controlador remoto, consulte el manual de instrucciones correspondiente incluido con cada controlador remoto.

5. Mantenimiento y limpieza

- La siguiente indicación muestra que es necesario limpiar el filtro.
 - Controlador remoto cableado: "FILTER"
 - Termostato de radiofrecuencia: "Clean Filter"
 Encargue la limpieza del filtro a personal autorizado.
- Al restablecer la pantalla "FILTER" (FILTRO) o "Clean Filter" (Limpiar filtro). Para restablecer la indicación, consulte el manual de instrucciones de cada controlador remoto.

Nota:

- Cuando se controlan dos o más tipos diferentes de unidad interior, el periodo de limpieza difiere con el tipo de filtro. Cuando llega el momento de limpiar la unidad principal, aparece "FILTER" (Filtro). Cuando se apague el indicador del filtro, el tiempo acumulado se reajustará. (sólo para el controlador remoto cableado)
- "FILTER" o "Clean Filter" indican el periodo de limpieza si el acondicionador de aire se ha utilizado en las condiciones de aire interior generales según los tiempos calculados. Ya que el grado de suciedad depende de las condiciones ambientales, limpie el filtro de acuerdo con las circunstancias.
- El periodo acumulado de limpieza del filtro difiere según el modelo.

► Limpieza de los filtros

- Limpie los filtros con ayuda de una aspiradora. Si no tiene aspiradora, golpee suavemente los filtros contra un objeto sólido para desprender el polvo y la suciedad.
- Si los filtros están especialmente sucios, lávelos con agua tibia. Tenga cuidado de aclarar bien cualquier resto de detergente y deje que los filtros se sequen completamente antes de volver a ponerlos en la unidad.

⚠ Cuidado:

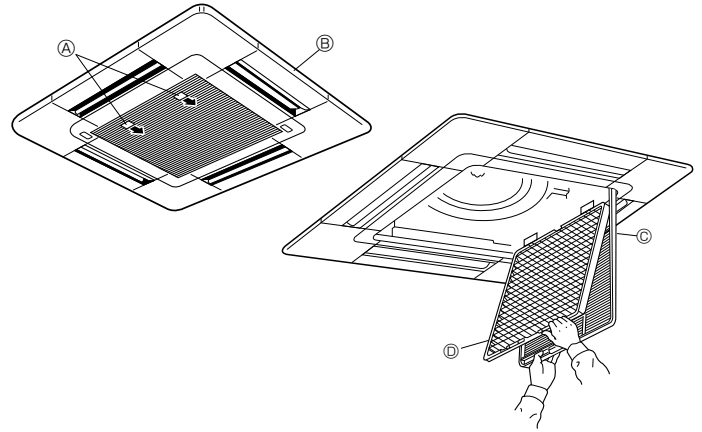
- No seque los filtros colocándolos al sol o con una fuente de calor como el de una estufa eléctrica; podrían deformarse.
- No lave los filtros en agua caliente (más de 122°F) ya que se deformarían.
- Cerciérese de que los filtros están siempre instalados. El funcionamiento de la unidad sin filtros puede provocar un mal funcionamiento.
- Antes de empezar la limpieza, apague la fuente de alimentación.
- Las unidades interiores están equipadas con un filtro que elimina el polvo del aire aspirado. Limpie el filtro usando los métodos indicados en las ilustraciones siguientes.

► Retirada del filtro

⚠ Cuidado:

- Al retirar el filtro, tenga cuidado de protegerse los ojos del polvo. Asimismo, si para hacerlo tiene que subirse a un taburete, tenga cuidado de no caerse.
- Una vez retirado el filtro, no toque las partes metálicas que hay en la unidad interior, ya que puede causarle heridas.

■ SLZ-KA·NA



- ① Tire del pomo de la rejilla de admisión en la dirección indicada por la flecha y la rejilla se abrirá.
- ② Abra la rejilla de admisión.
- ③ Suelte la perilla del borde central de la rejilla de admisión y tire del filtro hacia adelante para extraerlo.

Ⓐ Perilla Ⓑ Rejilla Ⓒ Rejilla de admisión Ⓓ Filtro

6. Localización de fallos

¿Problemas?	Aquí tiene la solución. (La unidad funciona normalmente).
El acondicionador de aire no calienta o refrigera bien.	<ul style="list-style-type: none"> ■ Limpie el filtro (el flujo de aire se reduce cuando el filtro está sucio o atascado). ■ Compruebe el ajuste de temperatura y modifique la temperatura ajustada. ■ Asegúrese de que hay espacio suficiente alrededor de la unidad exterior. ¿Está bloqueada la entrada o la salida de aire de la unidad interior? ■ ¿Ha dejado abierta una puerta o ventana?
Cuando comienza el modo de calefacción, al principio no sale aire caliente de la unidad interior.	<ul style="list-style-type: none"> ■ El aire caliente no empieza a salir hasta que la unidad interior se ha calentado lo suficiente.
Durante el modo de calefacción, el acondicionador de aire se detiene antes de alcanzar la temperatura ajustada para la habitación.	<ul style="list-style-type: none"> ■ Cuando la temperatura exterior es baja y la humedad es alta, puede formarse escarcha en la unidad exterior. Si esto sucede, la unidad exterior iniciará la operación de descongelación. Una vez transcurridos unos 10 minutos, se reanudará el funcionamiento normal.
Cuando comienza el modo de deshumidificación, la temperatura establecida cambia.	<ul style="list-style-type: none"> ■ Cuando comienza el modo de deshumidificación, la temperatura cambia automáticamente a la temperatura óptima inicialmente establecida.

6. Localización de fallos

¿Problemas?	Aquí tiene la solución. (La unidad funciona normalmente).												
La dirección del aire cambia durante el funcionamiento o no es posible cambiar la dirección del flujo de aire.	<ul style="list-style-type: none"> ■ Durante el modo de refrigeración, los deflectores se mueven automáticamente a la posición horizontal (inferior) tras 1 hora cuando se ha seleccionado la dirección de flujo de aire inferior (horizontal). De esta forma se evita que se acumule agua y caiga desde los deflectores. ■ Durante el modo de calefacción, los deflectores se mueven automáticamente a la posición de flujo de aire horizontal si la temperatura del flujo de aire es baja o durante el modo de descongelación. 												
Cuando cambia la dirección del flujo de aire, los deflectores siempre se mueven arriba y abajo antes de detenerse en la posición ajustada.	■ Cuando cambia la dirección del flujo de aire, los deflectores se mueven a la posición ajustada tras haber detectado la posición base.												
Se oye un sonido de agua fluyendo o, en ocasiones, una especie de silbido.	■ Estos sonidos se pueden oír cuando el refrigerante fluye por el acondicionador de aire o cuando cambia el flujo del refrigerante.												
Se oye un traqueteo o un chirrido.	■ Estos ruidos se oyen cuando las piezas rozan entre sí debido a la expansión y contracción provocadas por los cambios de temperatura.												
Hay un olor desagradable en la sala.	■ La unidad interior recoge aire que contiene gases producidos por las paredes, moquetas y muebles, así como olores atrapados en las ropas y después lo devuelve a la sala.												
La unidad interior expulsa un vaho o humo blanco.	<ul style="list-style-type: none"> ■ Si la temperatura y la humedad de la unidad interior son altas, esto puede suceder inmediatamente tras encender el acondicionador de aire. ■ Durante el modo de descongelación, el aire frío puede salir hacia abajo con la apariencia de vaho. 												
La unidad exterior expulsa agua o vapor.	<ul style="list-style-type: none"> ■ Durante el modo de refrigeración, puede acumularse agua y gotear de las tuberías y juntas de refrigeración. ■ Durante el modo de calefacción, puede acumularse agua y gotear del intercambiador de calor. ■ Durante el modo de descongelación, el agua del intercambiador de calor se evapora, por lo que se emite vapor de agua. 												
El indicador de funcionamiento no aparece en la pantalla del controlador remoto cableado. (*1)	■ Encienda el equipo. "●" aparecerá en la pantalla del controlador remoto cableado.												
"☒" aparece en la pantalla del controlador remoto cableado. (*1)	■ Durante el control central, "☒" aparece en la pantalla del controlador remoto cableado y no se puede iniciar ni detener el funcionamiento del acondicionador de aire utilizando el controlador remoto cableado.												
Al reiniciar el acondicionador de aire poco después de apagarlo, no funciona al pulsar el botón ON/OFF (ENCENDIDO/APAGADO).	<ul style="list-style-type: none"> ■ Espere unos tres minutos. (El funcionamiento se ha detenido para proteger el acondicionador de aire). 												
El acondicionador de aire funciona sin haber pulsado el botón ON/OFF (ENCENDIDO/APAGADO). (*1)	<ul style="list-style-type: none"> ■ ¿Está ajustado el temporizador de encendido? Pulse el botón ON/OFF (ENCENDIDO/APAGADO) para detener el funcionamiento. ■ ¿El acondicionador de aire está conectado a un controlador remoto cableado central? Consulte a la persona encargada de controlar el acondicionador de aire. ■ ¿Aparece "☒" en la pantalla del controlador remoto cableado? Consulte a la persona encargada de controlar el acondicionador de aire. ■ ¿Se ha ajustado la función de auto-recuperación para caídas de tensión? Pulse el botón ON/OFF (ENCENDIDO/APAGADO) para detener el funcionamiento. 												
El acondicionador de aire se detiene sin haber pulsado el botón ON/OFF (ENCENDIDO/APAGADO). (*1)	<ul style="list-style-type: none"> ■ ¿Está ajustado el temporizador de apagado? Pulse el botón ON/OFF (ENCENDIDO/APAGADO) para reiniciar el funcionamiento. ■ ¿El acondicionador de aire está conectado a un controlador remoto cableado central? Consulte a la persona encargada de controlar el acondicionador de aire. ■ ¿Aparece "☒" en la pantalla del controlador remoto cableado? Consulte a la persona encargada de controlar el acondicionador de aire. 												
No es posible establecer el funcionamiento del temporizador del controlador remoto cableado. (*1)	<ul style="list-style-type: none"> ■ ¿Los ajustes del temporizador no son válidos? Si es posible establecer el temporizador, en la pantalla del controlador remoto cableado aparecerá (WEEKLY), (SIMPLE) o (AUTO OFF). 												
En la pantalla del controlador remoto cableado aparecerá "PLEASE WAIT". (*1)	■ Se han realizado los ajustes iniciales. Espere unos 3 minutos.												
En la pantalla del controlador remoto aparece un código de error.	<ul style="list-style-type: none"> ■ Los dispositivos de protección se han activado para proteger el acondicionador de aire. ■ No intente reparar el equipo usted mismo. Apague inmediatamente el acondicionador de aire y póngase en contacto con su distribuidor. Asegúrese de indicar al distribuidor el nombre del modelo y la información que aparecía en la pantalla del controlador remoto. 												
Se oye un ruido de drenaje de agua o rotación de motor.	■ Cuando se detiene el funcionamiento de refrigeración, la bomba de drenaje se activa y luego se detiene. Espere unos 3 minutos.												
El ruido es mayor de lo indicado en las especificaciones.	<ul style="list-style-type: none"> ■ El nivel de ruido del funcionamiento interior depende de la acústica de la sala en cuestión tal y como se indica en la siguiente tabla, por lo que puede ser superior a los valores de las especificaciones, que se midieron en salas sin eco. <table border="1" style="width: 100%; border-collapse: collapse; text-align: center;"> <thead> <tr> <th></th> <th>Salas de alta absorción del sonido</th> <th>Salas normales</th> <th>Salas de baja absorción del sonido</th> </tr> </thead> <tbody> <tr> <td>Ejemplos de lugares</td> <td>Estudio de radiotransmisión, salas de mezclas, etc.</td> <td>Sala de recepción, hall de un hotel, etc.</td> <td>Oficina, habitación de hotel</td> </tr> <tr> <td>Niveles de ruido</td> <td>3 a 7 dB</td> <td>6 a 10 dB</td> <td>9 a 13 dB</td> </tr> </tbody> </table>		Salas de alta absorción del sonido	Salas normales	Salas de baja absorción del sonido	Ejemplos de lugares	Estudio de radiotransmisión, salas de mezclas, etc.	Sala de recepción, hall de un hotel, etc.	Oficina, habitación de hotel	Niveles de ruido	3 a 7 dB	6 a 10 dB	9 a 13 dB
	Salas de alta absorción del sonido	Salas normales	Salas de baja absorción del sonido										
Ejemplos de lugares	Estudio de radiotransmisión, salas de mezclas, etc.	Sala de recepción, hall de un hotel, etc.	Oficina, habitación de hotel										
Niveles de ruido	3 a 7 dB	6 a 10 dB	9 a 13 dB										

*1: Sólo para el controlador remoto cableado.

7. Instalación, reubicación e inspección

Lugar para la instalación

Evite instalar el acondicionador de aire en los siguientes lugares:

- Donde pudiera gotear gas inflamable.

⚠ Cuidado:

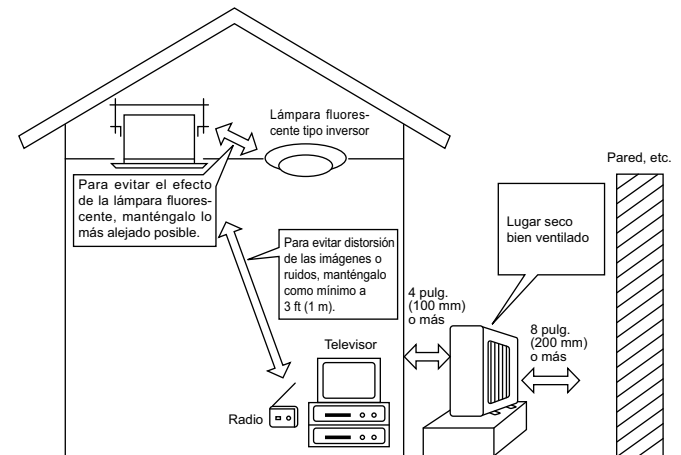
No instale la unidad en lugares en los que pueda haber fugas de gas inflamable. Si se producen fugas de gas y éste se acumula se podría producir una explosión.

- Donde haya mucho aceite de máquinas.
- Lugar de mucha sal como en la costa.
- Donde se genere gas sulfúrico, tal como aguas termales.
- Donde se salpique aceite o haya mucho humo graso.

⚠ Atención:

Si el acondicionador de aire funciona pero no genera fresco ni calefacción en la habitación (dependiendo del modelo), consulte con su distribuidor ya que puede tratarse de una fuga de refrigerante. Debe preguntar al responsable del mantenimiento si existe o no una fuga de refrigerante cuando se lleve a cabo la reparación.

El refrigerante cargado en el acondicionador de aire es seguro y normalmente no tiene fugas. No obstante, si existe pérdida de gas refrigerante en el interior y entra en contacto con las llamas del calentador de un ventilador, calentador, horno o aparato similar, se generarán sustancias nocivas.



Partes eléctricas

- Facilite un circuito exclusivo para el suministro de corriente del acondicionador de aire.
- Asegúrese de observar la potencia del interruptor.

⚠ Atención:

- **No instale la unidad por su cuenta. Si la instalación es incorrecta podrían producirse incendios, descargas eléctricas, fugas de agua, podría resultar herido de caerse el acondicionador de aire, etc.**
- **No haga la conexión mediante un conector múltiple o un alargó y no acople demasiados cables de alimentación a un mismo enchufe, ya que podrían producirse descargas eléctricas por mala conexión, mal aislamiento, exceso de corriente, etc.** Póngase en contacto con su proveedor.

⚠ Cuidado:

- **Conexión de la toma de tierra:**

- **No conecte el cable de tierra a una tubería de gas o de agua, a un pararrayos o a la toma de tierra de un teléfono. Si la conexión a tierra no se efectúa correctamente podrían producirse descargas eléctricas.**
- **Instale el interruptor contra tierras según el lugar en el que va a instalar la unidad de aire acondicionado (en un lugar húmedo, etc...). Si no se instala el interruptor contra tierras se podrían producir descargas eléctricas.**

Inspección y mantenimiento

- Si usa el acondicionador durante varias temporadas, es posible que su potencia se reduzca por acumulación de suciedad dentro de la unidad.
- Según las condiciones de uso, es posible que se produzcan algunos olores o que el agua de la deshumidificación no se desagüe correctamente debido a la suciedad, el polvo, etc.
- Además del mantenimiento habitual se recomienda que solicite a un especialista la inspección y el mantenimiento (a su cargo) del acondicionador de aire. Póngase en contacto con su proveedor.

Observe también el sonido del funcionamiento

- No coloque nada sobre la salida de aire de la unidad exterior, ya que podría reducirse la potencia o aumentar el sonido producido por el funcionamiento.
- Si oye un ruido anormal mientras funciona, consulte a su proveedor.

Reubicación

- Cuando se ha de extraer o reinstalar el acondicionador de aire debido a nueva construcción, cambio de casa, etc. se requieren técnicas y trabajos especiales.

⚠ Atención:

No repare ni cambie de lugar el acondicionador de aire por su cuenta.

Si no se hace correctamente podrían producirse incendios, descargas eléctricas, fugas de agua, podría resultar herido de caerse el acondicionador de aire, etc. Póngase en contacto con su proveedor.

Cuando quiera deshacerse de la unidad

- Antes de tirar este artículo, consulte a su proveedor.

Ante cualquier duda, consulte a su proveedor

8. Especificaciones

Modelo		SLZ-KA09NA	SLZ-KA12NA	SLZ-KA15NA
Alimentación		Single 208/230V, 60Hz		
Motor del ventilador	<FLA>	0.23	0.28	0.28
MCA	<A>	1		
MOCP	<A>	15		
Dimensión	(Altura) <pulg.>	8-3/16 (25/32)		
	(Ancho) <pulg.>	22-7/16 (25-19/32)		
	(Profundidad) <pulg.>	22-7/16 (25-19/32)		
Flujo de aire (Bajo - Media - Alto)	DRY <CFM>	280-320-350	280-320-390	280-320-390
	WET <CFM>	250-290-320	250-290-350	250-290-350
Nivel de ruido (Bajo - Media - Alto)	<dB>	29-32-38	30-34-39	31-35-40
Peso neto	<lbs>	36 (7)		

*1 La figura en () se refiere a la parrilla.

This product is designed and intended for use in the residential,
commercial and light-industrial environment.

Please be sure to put the contact address/telephone number on
this manual before handing it to the customer.